

## Fiber Cement Siding Coverage

Width	Length	Exposure	Sq Ft per Piece	Pieces per Square
5-1/4"	12ft	4"	4	25
6-1/4"	12ft	5"	5	20
7-1/4"	12ft	6"	6	16.67
8-1/4"	12ft	7"	7	14.3
9-1/4"	12ft	8"	8	12.5
12"	12ft	10-3/4"	10.75	9.3

## Fiber Cement Siding Project Components

1. Fiber Cement Siding
2. Corners (1 or 2 piece)
3. Trim Boards
4. Joints Splices (joints can also be caulked)
5. J-Blocks
6. Split Mini Blocks
7. Exhaust Vents
8. Siding Nails (colored available)
9. Touch-Up Paint
10. Caulking
11. Metal Flashings

Give us a call or send an email with any questions.

Oslin Lumber Company  
Phone 320 679 1181  
Email [sales@oslinlumber.com](mailto:sales@oslinlumber.com)



# A Flashing This Good Deserves Your Attention

A contractor's dream—this innovative design makes "Roof-to-Wall" flashing a breeze. It speeds installation, avoids call-backs, provides more profit and leaves homeowners happy.

BACKER BOARD

FIBER CEMENT SIDING

Rollex flashing provides the proper 2" clearance where the siding meets roofs, decks, paths and driveways.

FLASHING

## No Fade Environ® Colors Outshine the Rest

Rollex's double coated acrylic finish comes in matching fiber cement colors. Its superior color retention far exceeds others using less costly polyester paints.

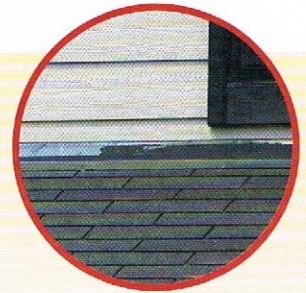
### > Designed in conjunction with contractors

- Speeds installation – preformed, no bending
- .024" gauge aluminum for strength
- Will not void siding manufacturer's warranty

### > Provides a visually pleasing presentation

- Matches siding color specification – no more bare metal flashing
- Finishes with aesthetically clean lines – no ragged angles or cuts

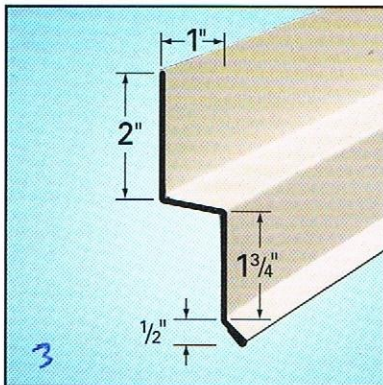
Avoid this type of >> unsightly, non-standard; flashing installation when using Rollex color matched "Roof-to-Wall" Flashing.





# New Flashings from Rollex Deliver Star Performance in Fiber Cement Colors

- > Available in matching fiber cement colors – no more bare metal
- > Double-coated with Environ® finish – no fade color
- > Preformed aluminum – no field bending
- > Will not void fiber cement manufacturer's warranty
- > Maintenance free

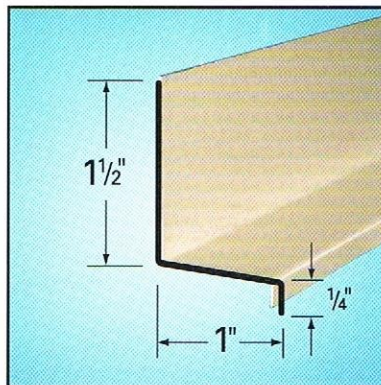


## Roof to Wall Flashing

E-RTW • .024" Gauge Aluminum  
10' Long • 10 Pcs./Ctn.

For use where fiber cement siding installation requires a two inch clearance above roofs, decks, paths or driveways.

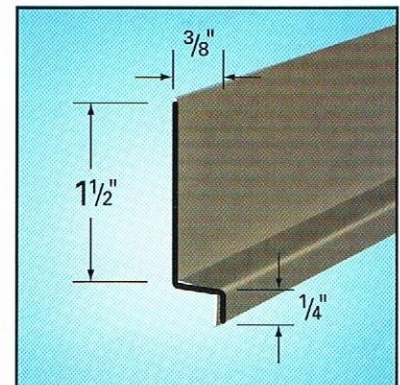
(See reverse side for more detail.)



## Drip Cap

DC1 • .019" Gauge Aluminum  
10' long • 25 Pcs./Ctn.

For use above one inch trim on top of windows, doors and band boards.



## Z Wall Flashing

E-3/8Z • .019" Gauge Aluminum  
10' long • 25 Pcs./Ctn.

For use between two 4 x 8 sheets of vertical siding in a two story application.

## Color Performance Gets Thumbs-Up from Contractors

Each flashing is double coated, front and back with Environ® acrylic finish for lasting color and scuff resistance. The no fade Rollex finish accurately matches these fiber cement colors.

- > Arctic White
- > Cobblestone
- > Khaki Brown
- > Monterey Taupe
- > Navajo Beige
- > Sail Cloth
- > Woodstock Brown

## Rollex Product Line Expanded to Include Fiber Cement Colors

Rollex's extensive line of soffit, fascia, trim coil and rainware is now available in the new fiber cement colors—further expanding its designer color palette.

**Rollex**  
BUILDING EXCELLENCE

Contact your Rollex dealer or representative to order.

Rollex Corporation  
800 Chase Avenue  
Elk Grove Village, IL 60007

1-800-251-3300

www.rollex.com