

Hand Hewn Log Railings

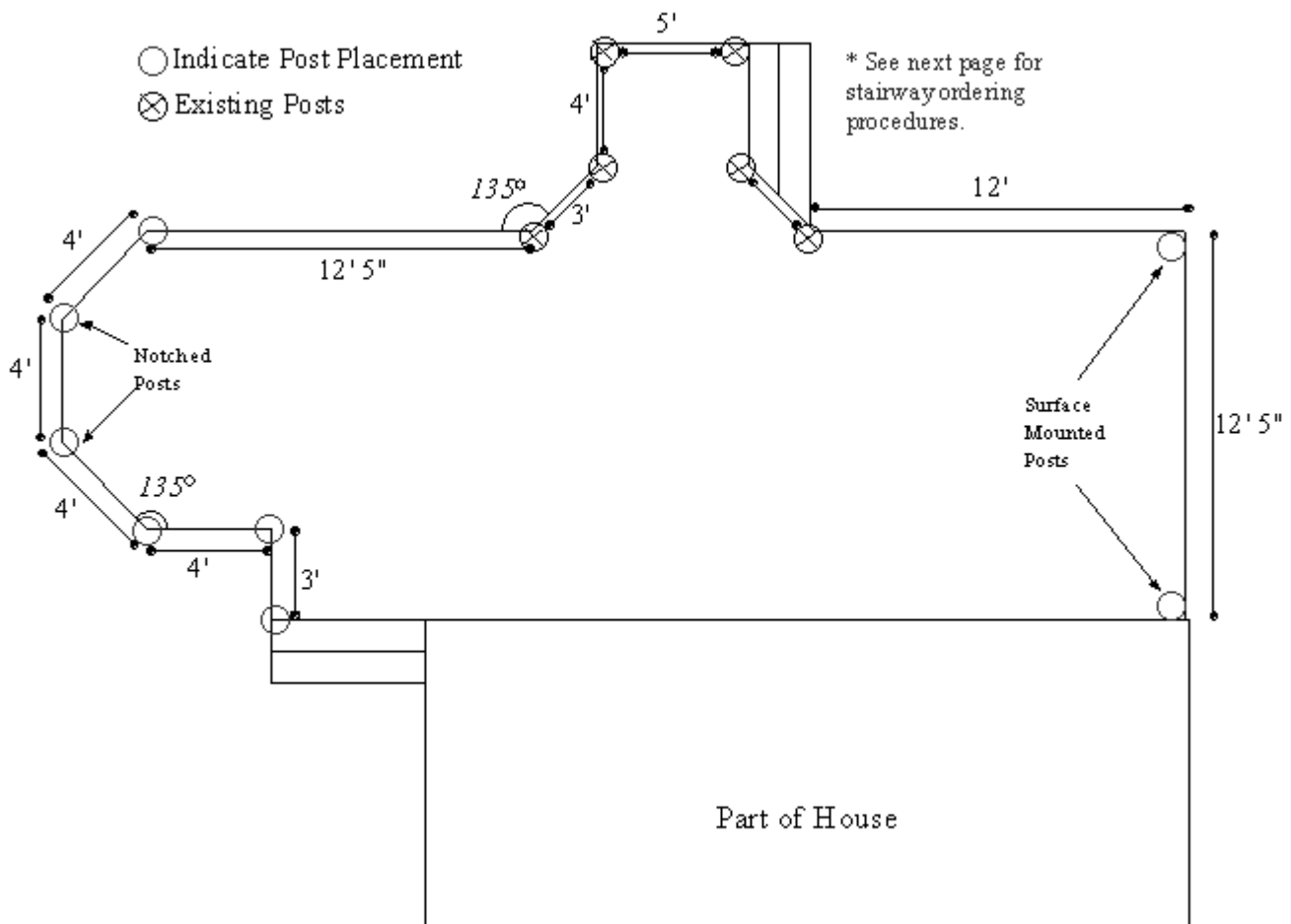
Preassembled Log Railing Order Information

Ordering Procedures

Using the grid paper, sketch out the area from a top view. Accurate measurements are very important. The following information is needed.

1. Measurements between existing posts (indicate existing posts on drawing).
2. Measure corner to corner on areas that we provide the posts.
3. Indicate if a post is required at end walls. Half posts are available.
4. Provide angles for corners other than 90 degrees.
5. Indicate openings for stairs.
6. Indicate post placement.

EXAMPLE





Preassembled Log Railing Order Information

STAIRWAY WITH A STRAIGHT RUN

Maximum length of rail is 8'. Stairs longer than 8' will need additional post(s). Railing sections will be predrilled for spindles. Post are left untrimmed at the bottoms for fitting at the job site. The following information will be needed.

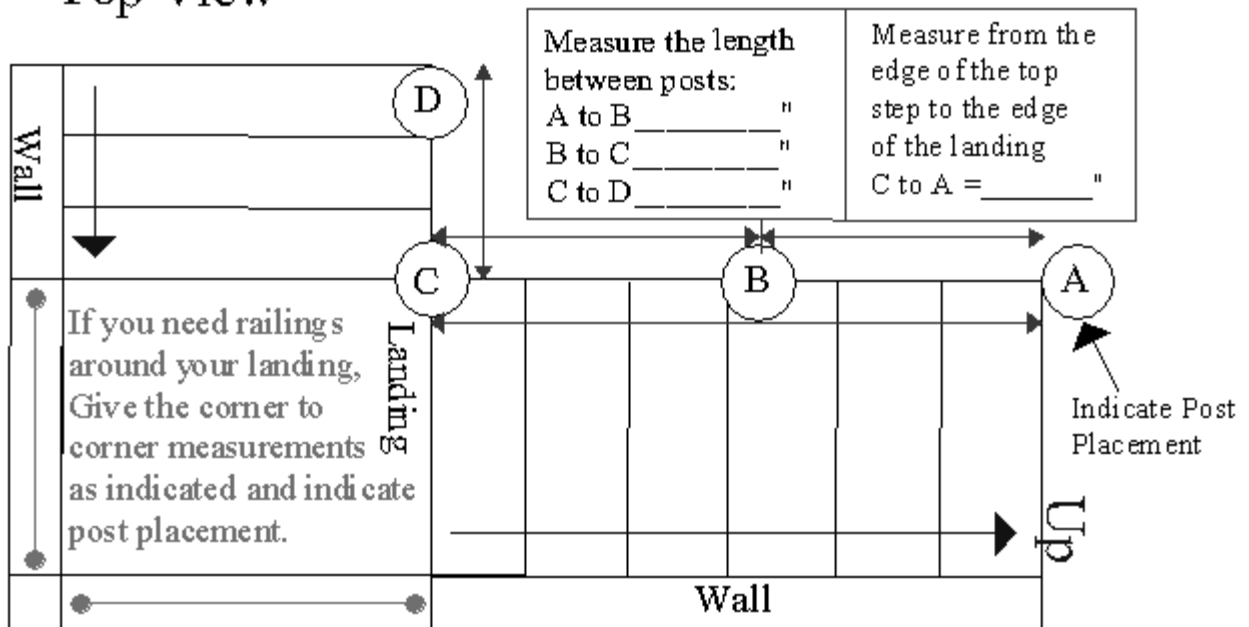
1. Measurements off of stringer. Riser _____" Tread _____" # steps _____
2. Stair angle if available.
3. Side view diagram indicating location of all posts and distance between centers of each post. If post or wall exists, note distance from that point.
4. Measurement from the edge of the bottom step to the edge of the upper landing.
5. Railing needed for: 1 side _____ 2 sides _____

STAIRWAY WITH A LANDING

The following is information needed for a stairway with a landing.

1. All of the information from Stairway with a straight run for each section.
2. Include Top view drawing showing post placement.

Top View

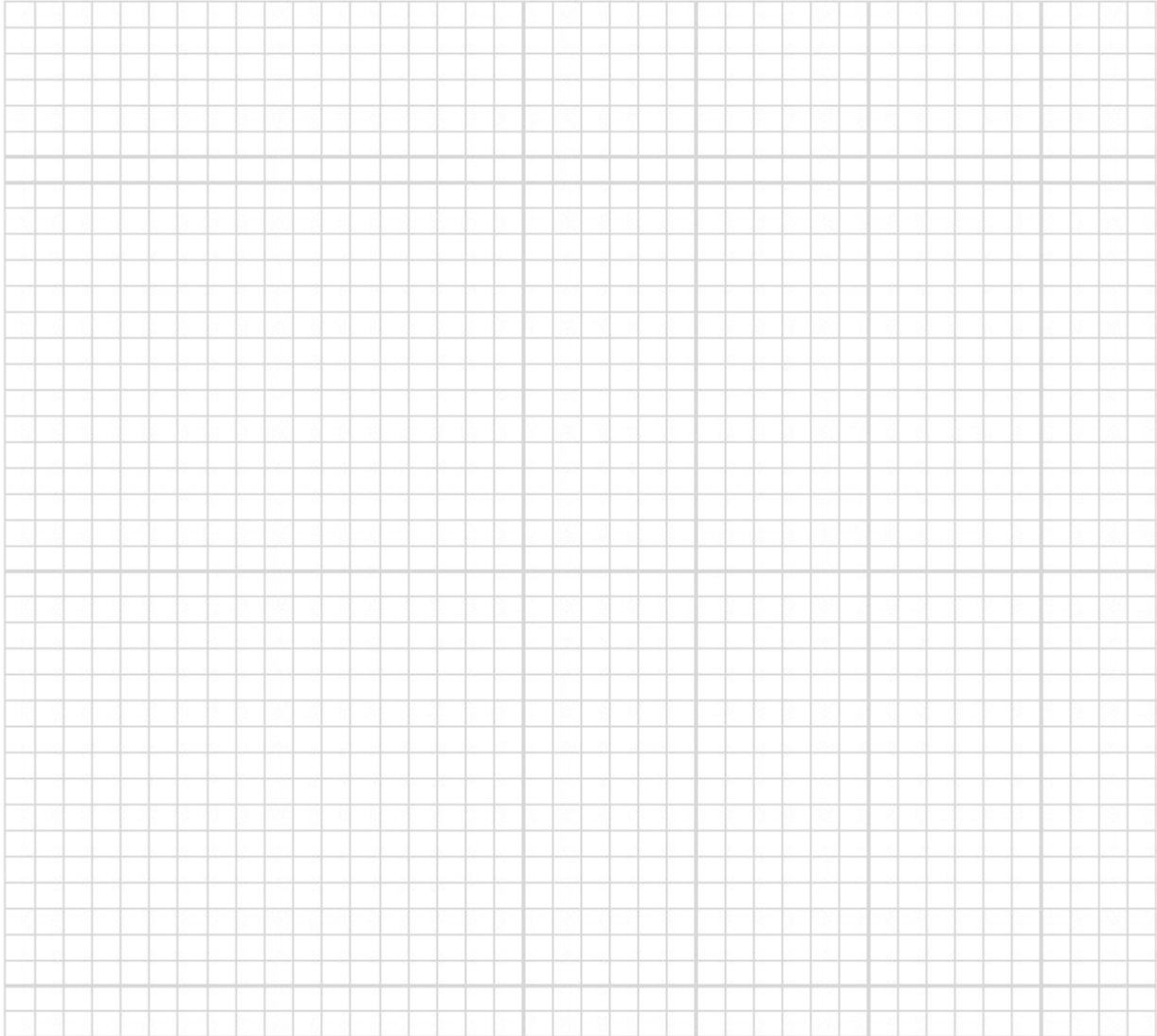


Rail sections required for:
1 side 2 sides

Stair angle if available _____ °

Hand Hewn Log Railings

Preassembled Log Railing Order Information



ACCURATE MEASUREMENTS REQUIRED

SPECIAL INSTRUCTIONS:

KEY
○ = Determined Post
⊗ = Existing Post
↔ 12' = Measurement between

Name: _____

Job Name: _____

Contact Phone: _____

Plan Approval: _____

Bring this drawing to your local Building Material Retailer for estimates and order placement.
Manufactured and Distributed by: Lake States Lumber, Inc.