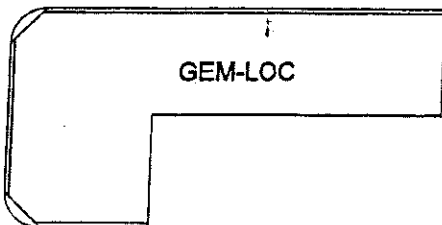
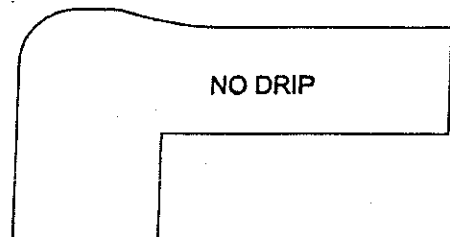
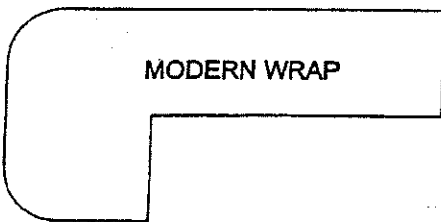
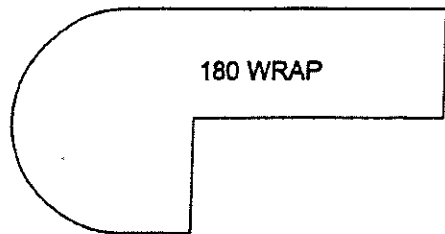
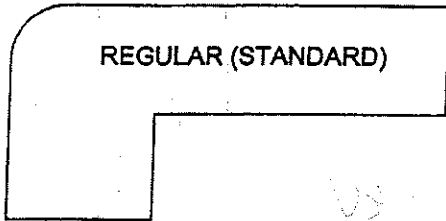
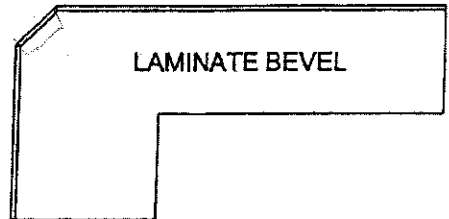
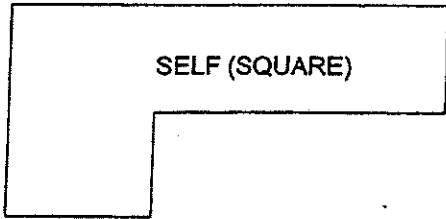


# Selective Countertops, LLC

## Edge Styles

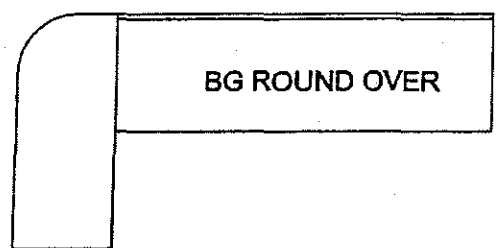
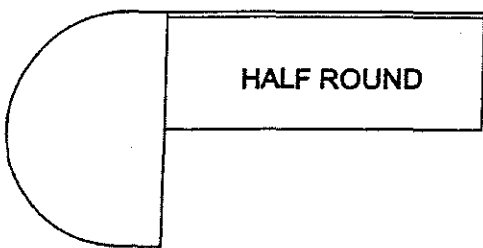
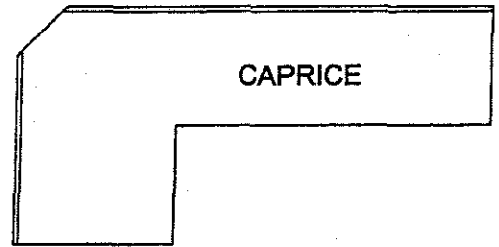
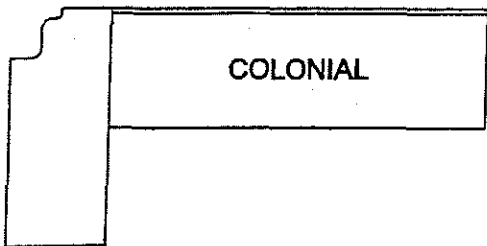
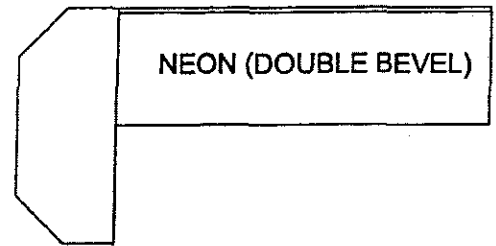
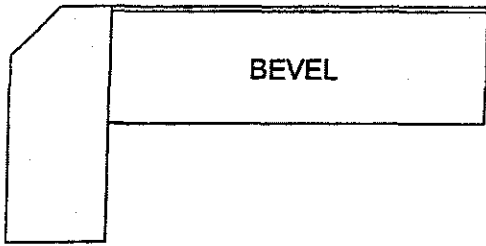
---



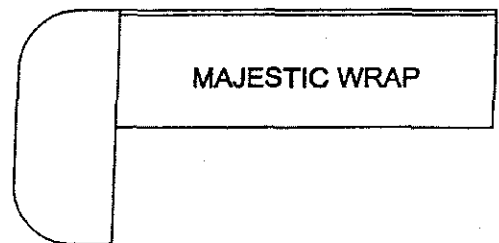
# Selective S C Countertops, LLC

## Wood Edge Styles

---

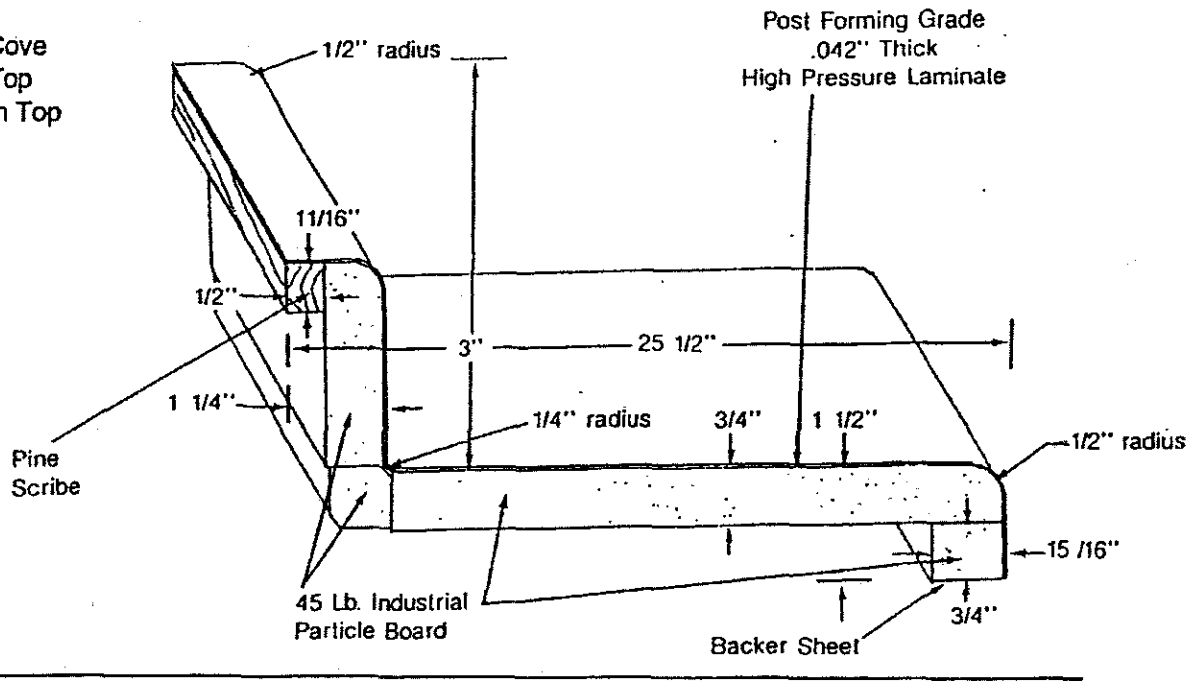


Available Wood Species:  
Oak, Hickory, Maple and  
Cherry

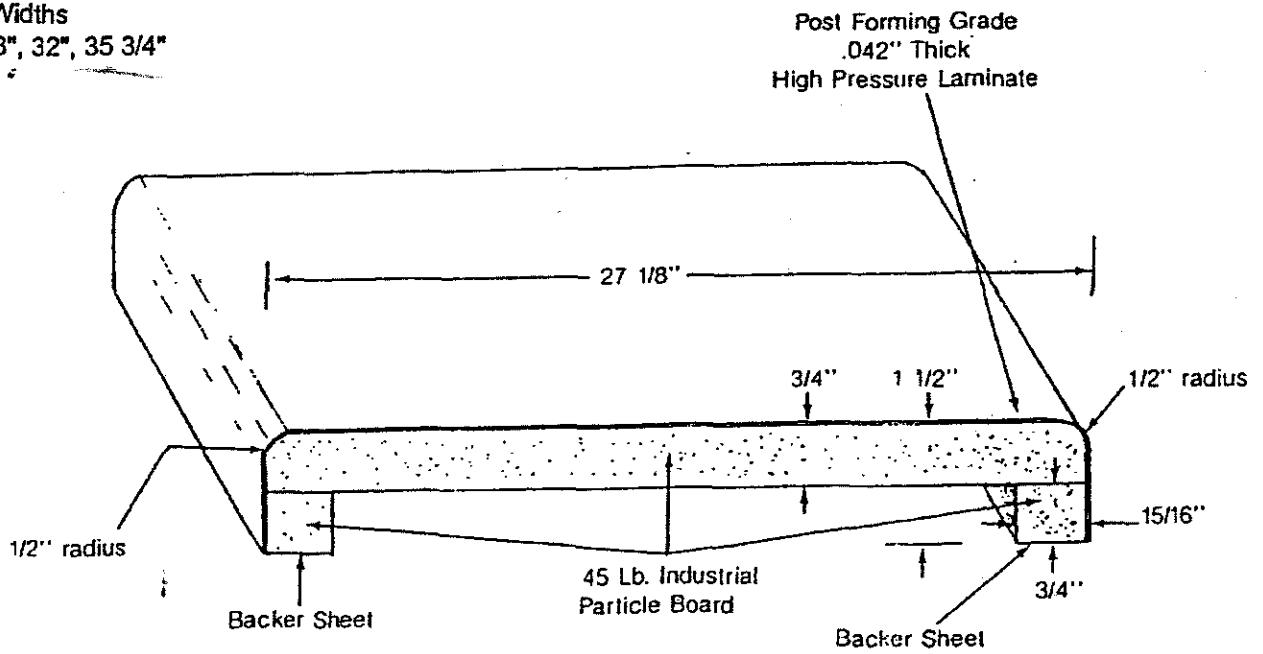


# Selective Countertops, LLC

Std. Tri Cove  
Kitchen Top  
Note: Van Top  
-3" less

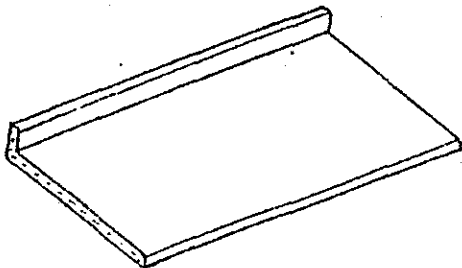


Post formed  
Island Tops  
Std. Widths  
27 1/8", 32", 35 3/4"



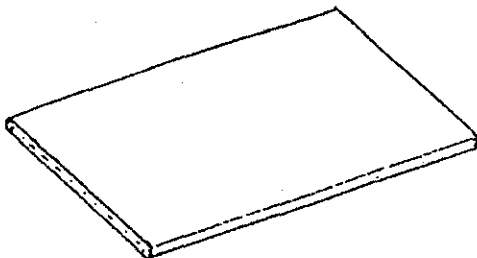
# Selective SCountertops, LLC

SC101



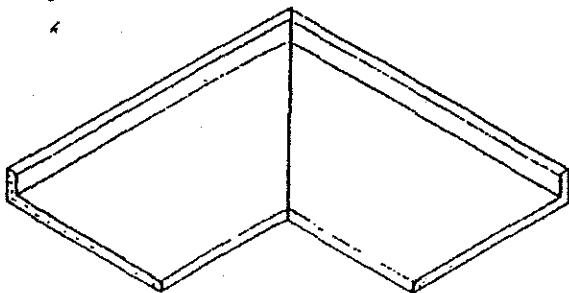
Post formed tri cove top  
Std. Kitchen, 25 1/2" deep  
Std. Vanity, 22 1/2" deep  
Special depth, 19" to 34"  
Special splash, 3 1/8" to 4"  
Under 19" or over 34" deep requires screwed on  
backsplash

SC102



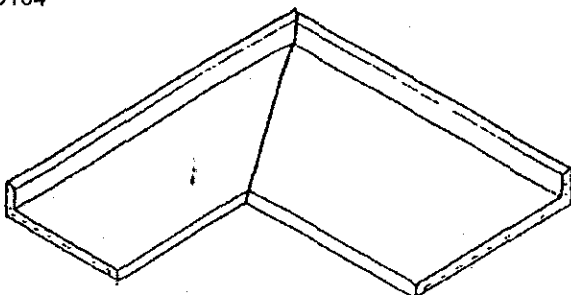
Post formed island top  
Std. Depths: 27, 32, and 36"  
Special depth, 16 1/4" to 45"

SC103



Equal depth tri cove tops mitered together  
90, 22 1/2, or 45 degrees, std. miter  
Any other degree is a special miter

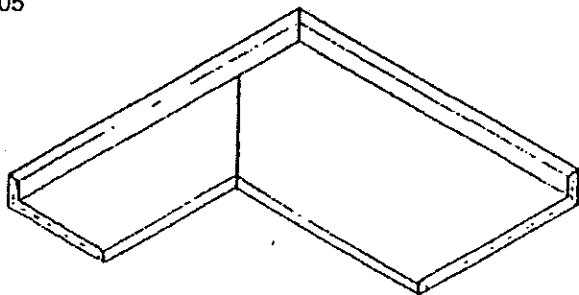
SC104



Different depth tri cove tops mitered together  
90, 22 1/2, or 45 degree, std. miter

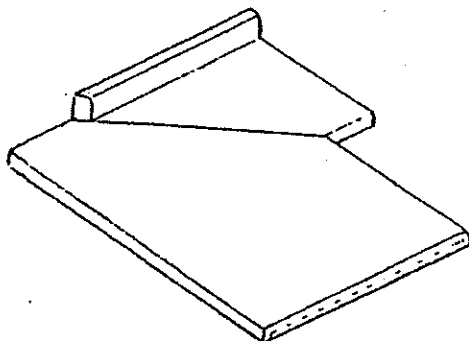
# Selective SC Countertops, LLC

SC105



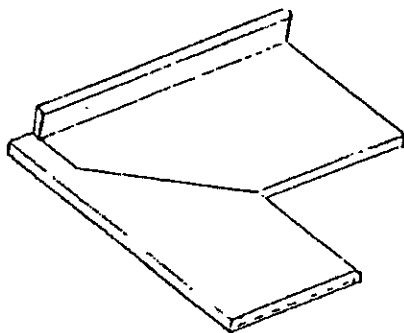
Different depth tri cove tops mitered together where  
1 or both tops have a screwed on backplash  
All are specials miters

SC106



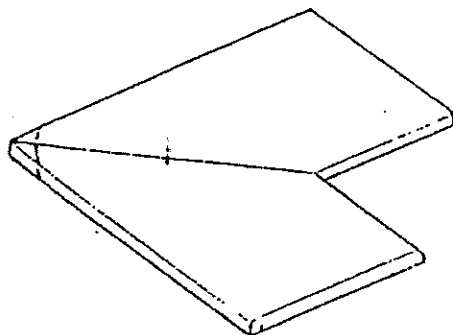
Tri Cove top mitered to island top  
90, 22 1/2, or 45 degree, std. Miter  
any other degree is a special miter  
Nose cap required on end of backplash

SC107



Dog Leg Miter  
Tri cove to mitered to island top where island top is  
narrower than tri cove top  
Nose cap required on end of backplash

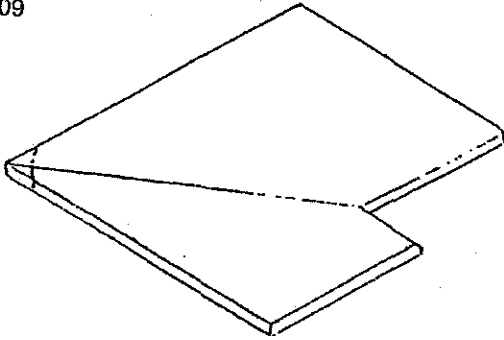
SC108



Equal depth island tops mitered together  
90, 22 1/2, or 45 degree, std. miter  
Any other degree is a special miter

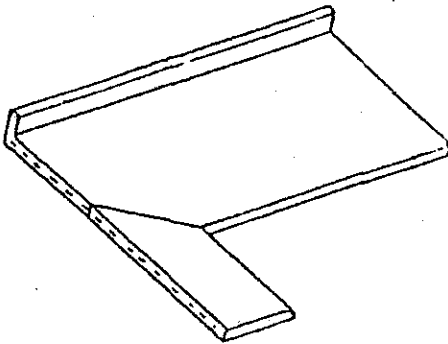
# Selective SCountertops, LLC

SC109



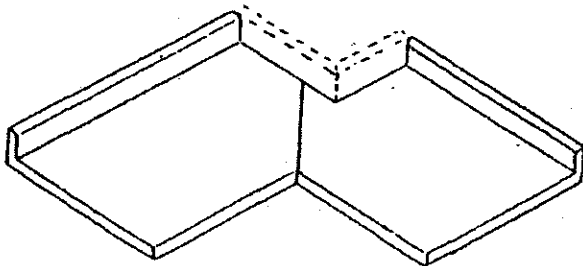
Different depth island top mitered together  
All are special miters  
Eased outside corner is recommended

SC110



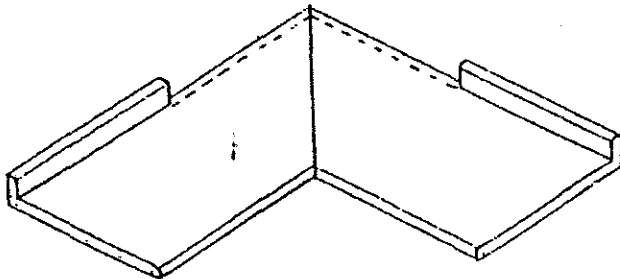
Tri cove top mitered to single roll top  
90, 22 1/2, or 45 degrees, std. Miter  
Any other degree is a special miter

SC111



Chimney Notch  
Available with or without:  
L shaped square edge splash  
or  
L shaped rolled splash (attached)

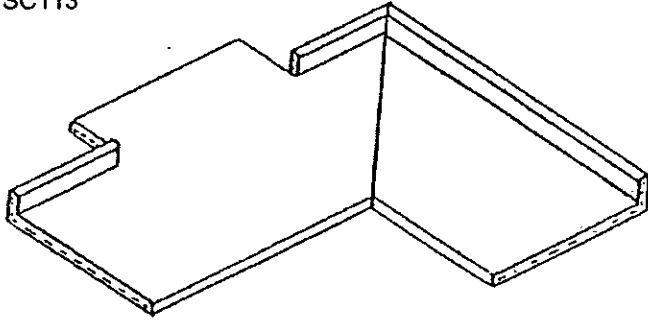
SC112



Notch and Fill-In  
Backsplash is removed, and top is filled in flat to wall  
Nose cap required when end of backsplash is exposed

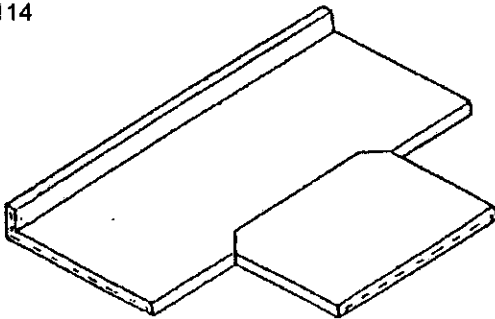
# Selective SCountertops, LLC

SC113



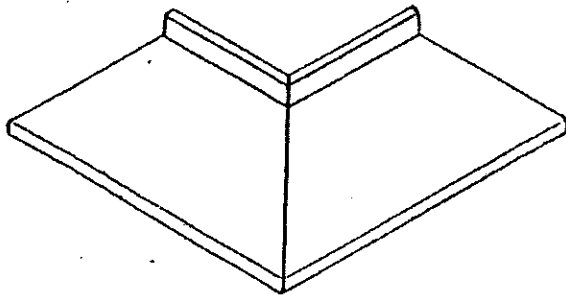
Notch and **SCREWED** on Backsplash --  
Island Top is notched out and rolled backsplash is **SCREWED** on  
Nose cap required when end of backsplash is exposed

SC114



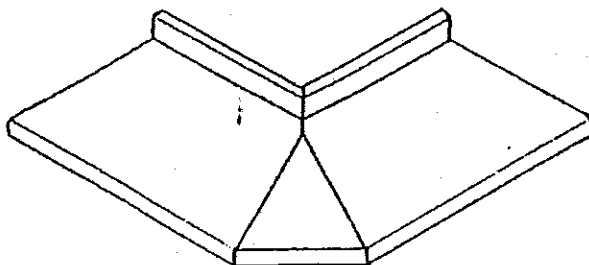
T-Splice  
Island top mitered to rolled edge of tri cove top or another island top

SC115



Reverse Miter  
Equal depth tri cove tops  
90, 22 1/2, or 45 degree, std. miter  
Any other degree is a special miter

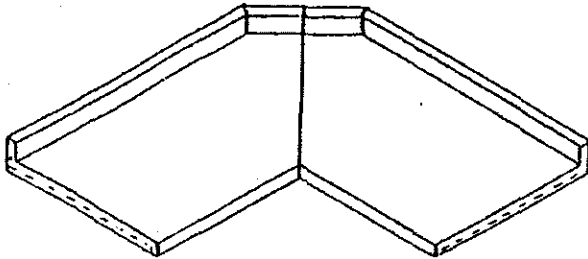
SC116



Diagonal Reverse Miter

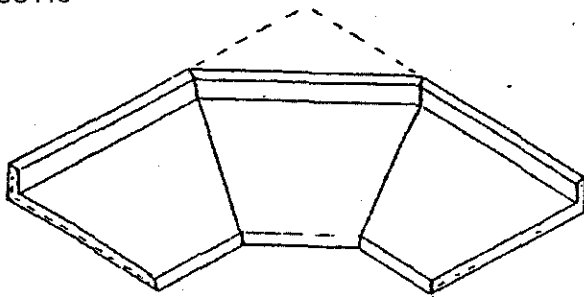
# Selective SCountertops, LLC

SC117



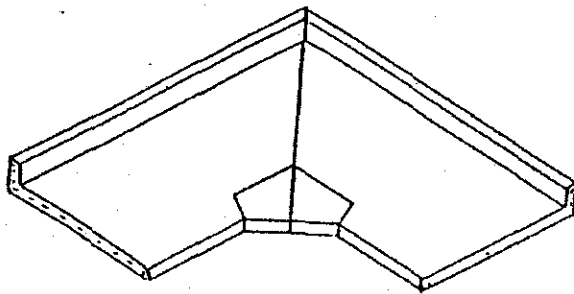
Diagonal Corner Wall  
Diagonal rolled splash is **SCREWED** on

SC118



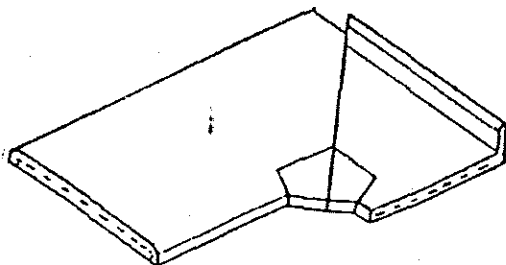
Std. Lazy Susan Corner  
22 1/2 degree cuts, std. miter  
Any other degree is a special miter  
If wall runs to corner, corner shelf is available

SC119



Notch and fit Diagonal Front With No Sink  
Diagonal face cabinet length must be less than 20"  
Front rolls come attached

SC120

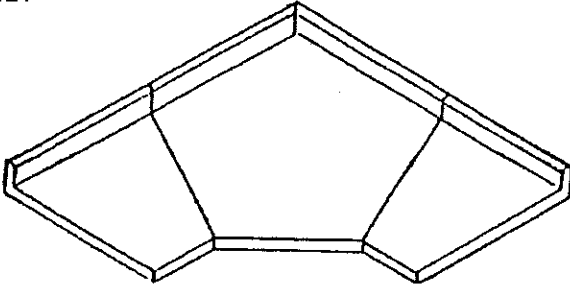


Notch And Fit Diagonal Front With Island Top and  
No Sink  
Diagonal face cabinet length must be less than 20"  
Front rolls come attached  
Nose cap is included



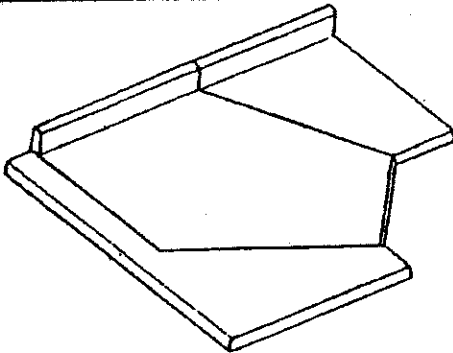
# **S**elective **C**ountertops, LLC

SC121



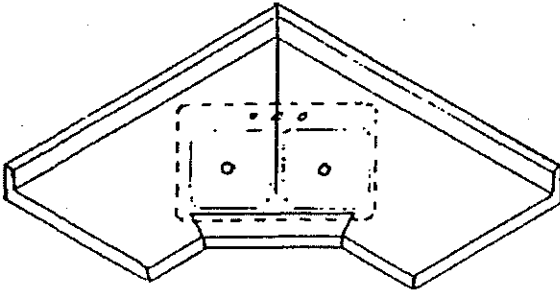
WS Corner  
Center section comes with **SCREWED** on rolled  
backsplash

SC122



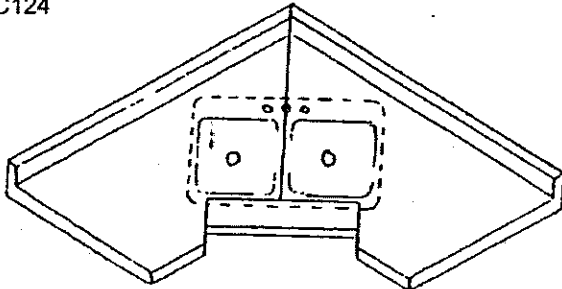
WS Corner With Island  
Center section comes with **SCREWED** on rolled  
backsplash and nose cap

SC123



Notch And Fit Front Roll With Sink

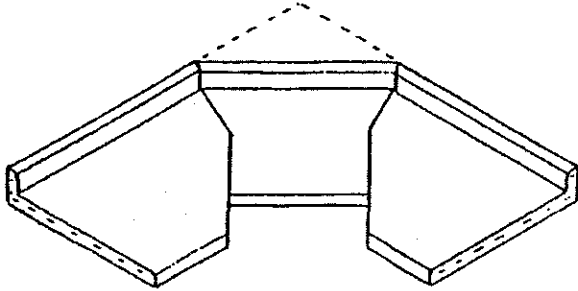
SC124



Notch and Fit Recessed Front Roll With Sink

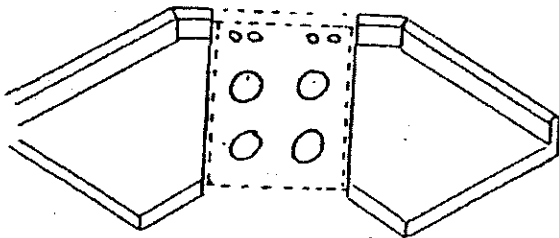
# Selective SCountertops, LLC

SC125



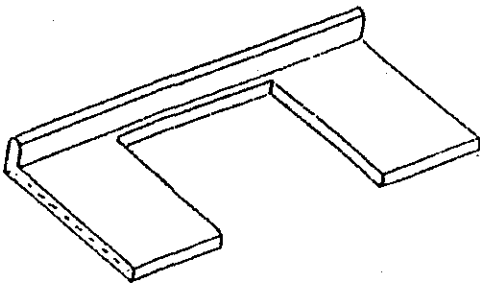
Lazy Susan With Recessed Front  
If wall runs to corner, corner shelf is available

SC126



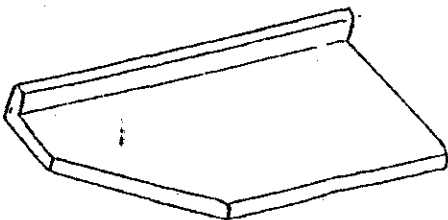
Diagonal Range  
Diagonal rolled splash is SCREWED on

SC127



Stove Cut Out  
Cut out may have square or rounded corners  
Cut out may be capped or left raw

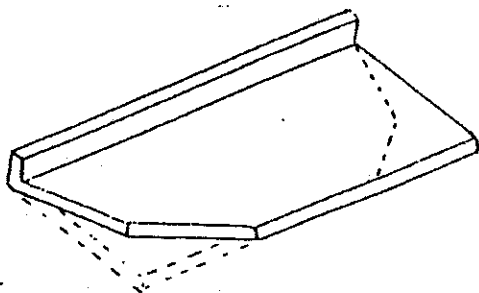
SC128



Angle Cut And Cap

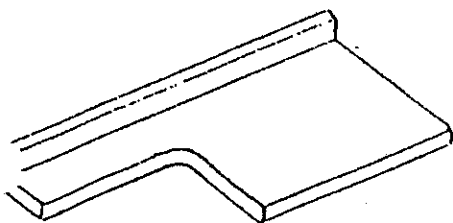
# Selective Countertops, LLC

SC129



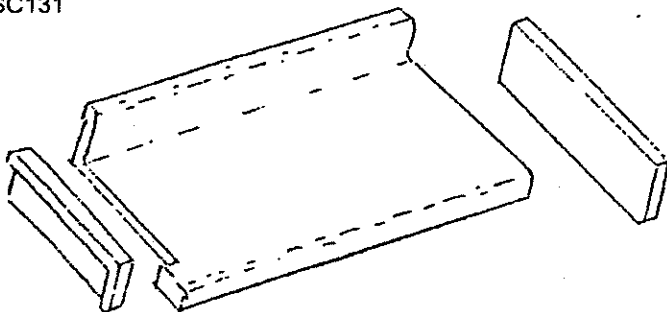
Double Angle Cut And Cap  
For use with angle corner base cabinet

SC130



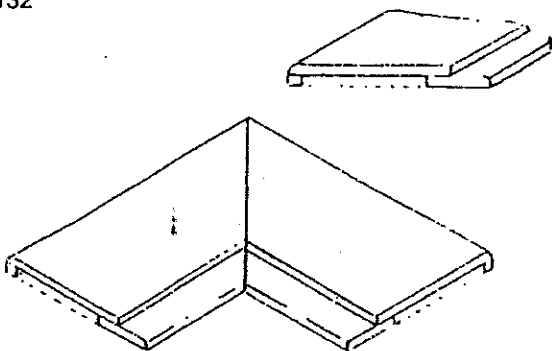
Banjo Cut Out  
Cut out may have square or rounded corners

SC131



Notch for Square Edge End Splash  
End Splashes are attached

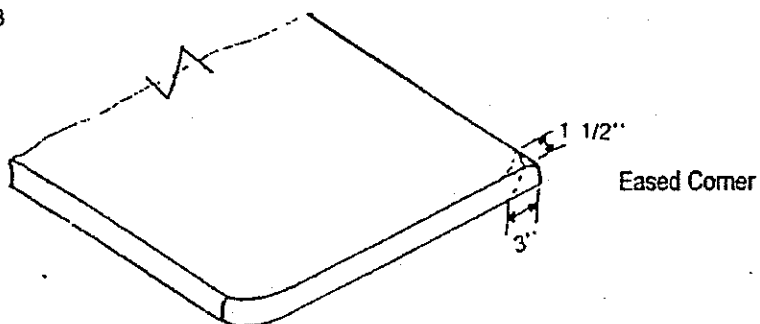
SC132



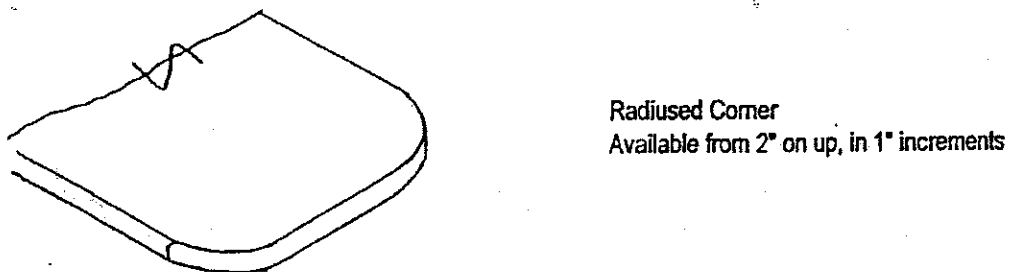
Bar Top With Screwed On Glass Rail  
Available, 3/4" with 1 1/2" edge or 1 1/2" solid  
All with backer sheet applied

# Selective SCountertops, LLC

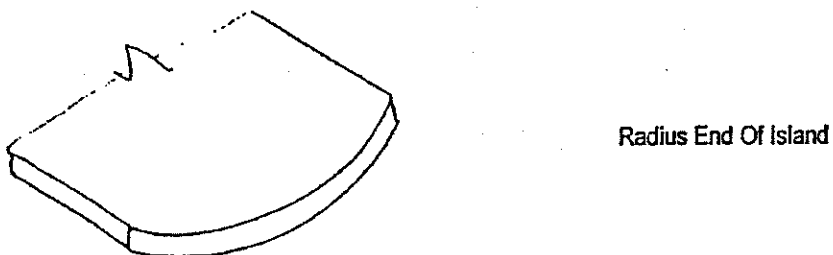
SC133



SC134



SC135



SC136

